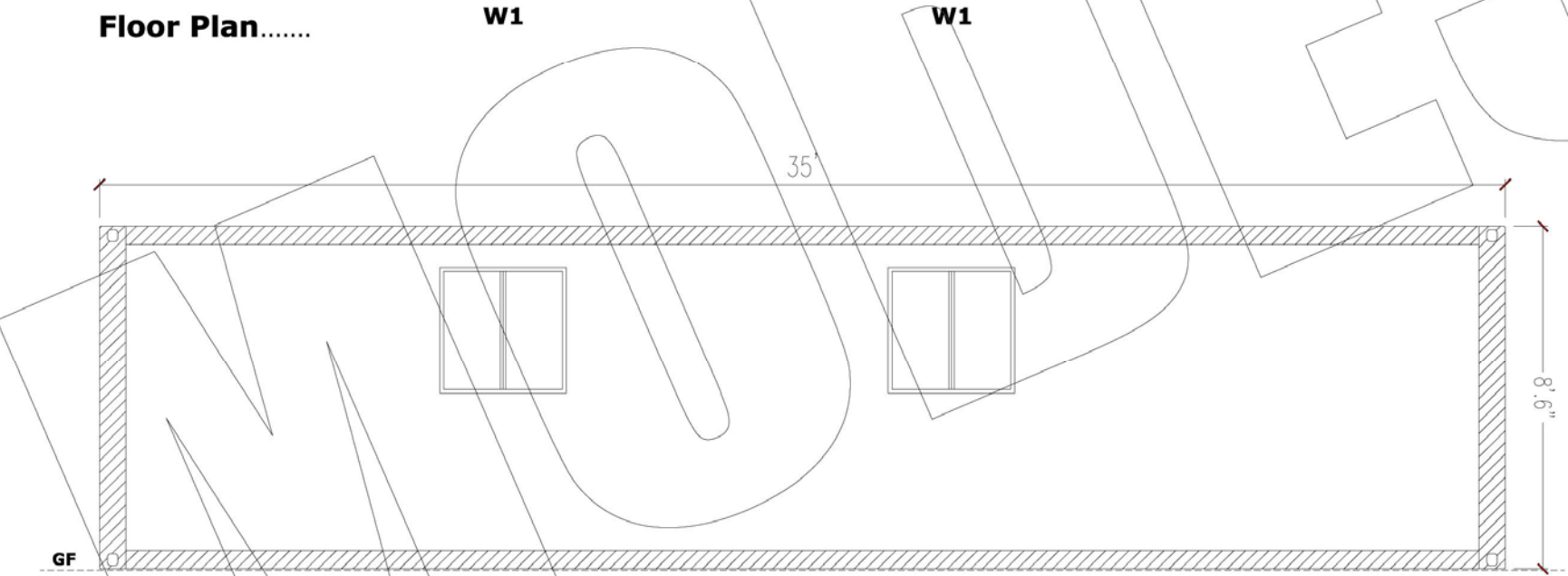


**Floor Plan.....**

Legend	
	Single Gang Switch
	15A Single Switched Socket
	13A Double Switched Socket
	Distribution Panel
	32Amps Single Phase Plug-in Socket for Power Connection
	2x36W Double Fluorescent Light Fixture
	Window Air-Conditioner Unit

Doors / Window	
<b>D1</b>	210cm x 90cm Flush Door, 40mm semi-solid, stained teak veneer finish with Meranti lipping & door frame fitted with 3 brass hinges, door closer, 'Solex' Knob lock with 3 keys and weather seals
<b>W1</b>	90cm x 90cm Aluminum framed sliding window with weather seals & clear glass

Fittings & Equipments	
- 2ea.	1.5-Tons/18000 Btu-hr. Aircond. window unit 'Carrier'
- 2ea.	Venetian Blinds
-	'Marly' Floor Fixed



**Front Elevation.....**

**SUPPLIER :**  
**MODEST COMPANY**  
 P.O. BOX : 5741  
 DUBAI, U.A.E  
 JEBEL ALI Free Zone  
 TEL: 04-8814786  
 FAX: 04-8812786



**CLIENT :**

**Project Title:**  
 35' x 8'  
 Open Plan Office Container Unit

**Drawing Name:**  
 Floor Plan + Elevations

<b>Date:</b>	24-11-11	<b>Drawing No:</b>	<b>CO 216</b>
<b>Size:</b>	A4		
<b>Original Scale:</b>	n.t.s.	<b>Revision:</b>	
<b>Designed:</b>	mh.z.		



