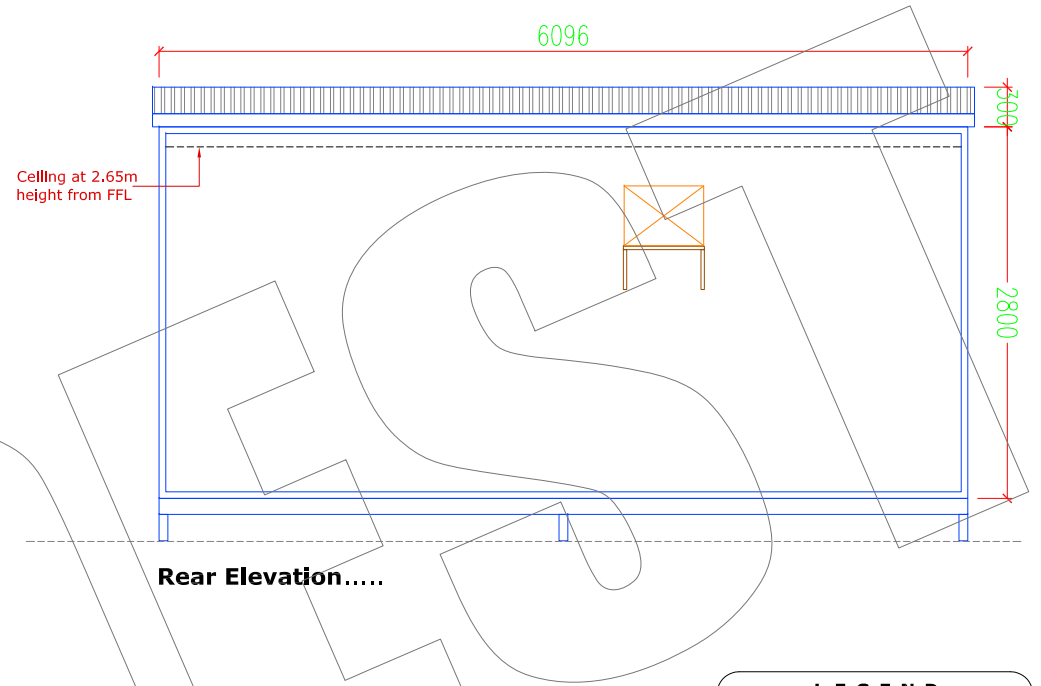
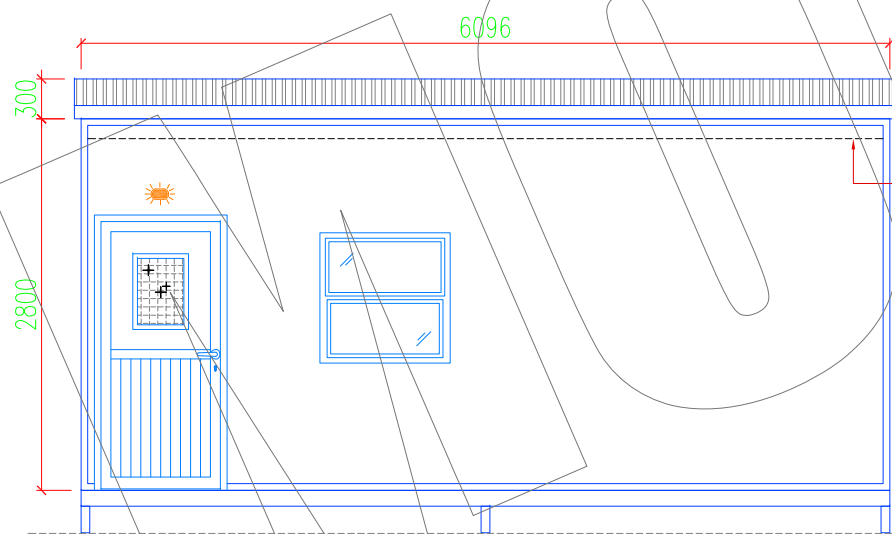


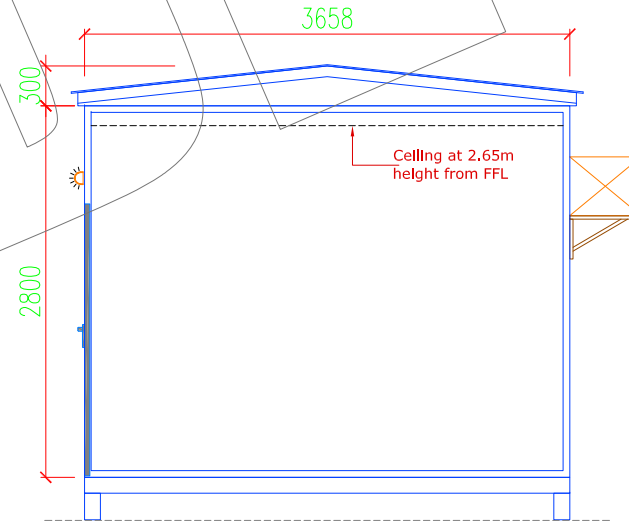
Floor Plan.....



Rear Elevation.....



Front Elevation.....



Side Elevation.....

LEGEND	
	Single, Double Gang Switches
	13A Double Switched Socket
	15A Single Switched Socket
	Bulkhead Light IP54
	2x36W Double Fluorescent Light Fixture
	Distribution Panel
	Window Air-Conditioner Unit

Doors / Window	
D1	210cm x 90cm aluminium-framed, white powder-coated fitted with lever handles 40x50cm view pane fitted with clear safety wired-glass, cylinder lock w/ 3 keys, door closer, weather-seals, door brush
W1	90cm x 90cm Aluminium framed window with hinged flap, weather seals, 18mm hermetically-sealed double glazing with reflective mirror glass with venetian blinds

Fittings & Equipments	
1ea. 1.5-Tons/18000 Btu-hr, Aircond. window unit 'Carrier'	

COMMERCIAL-IN-CONFIDENCE

SUPPLIER:

MODEST COMPANY

P.O.BOX : 5741
DUBAI, U.A.E
JEBEL ALI Free Zone

TEL: 04-8814786
FAX: 04-8812786



CLIENT:

Project Title:

20' x 12'
Open Plan Office Cabin

Drawing Name:

Floor Plan + Elevations

Date:

03-09-11

Size:

A4

Original Scale:

n.t.s.

Designed:

mhz.

Drawing No:

PO-202

Revision:

